

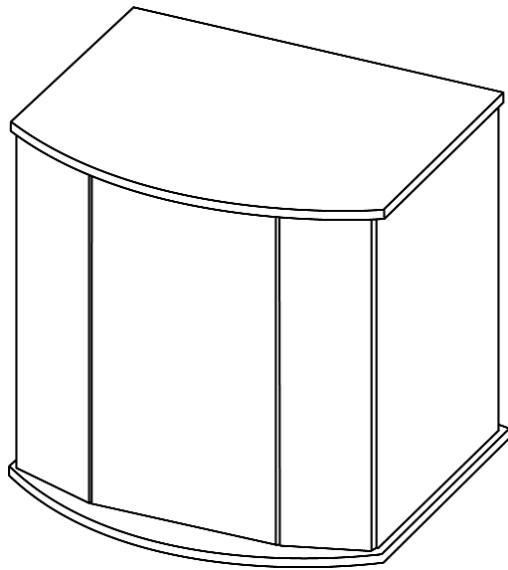


16 GALLON BOW-FRONT AQUARIUM STAND MODEL 16161U

EASY ASSEMBLY INSTRUCTIONS AND PARTS LIST

THANK YOU FOR
PURCHASING THIS
QUALITY PIECE OF
FURNITURE.

AQUATIC FUNDAMENTALS
IS DEDICATED TO
PROVIDING A QUALITY
PRODUCT AND WILL MAKE
EVERY ATTEMPT TO
DELIVER CUSTOMER
SATISFACTION.



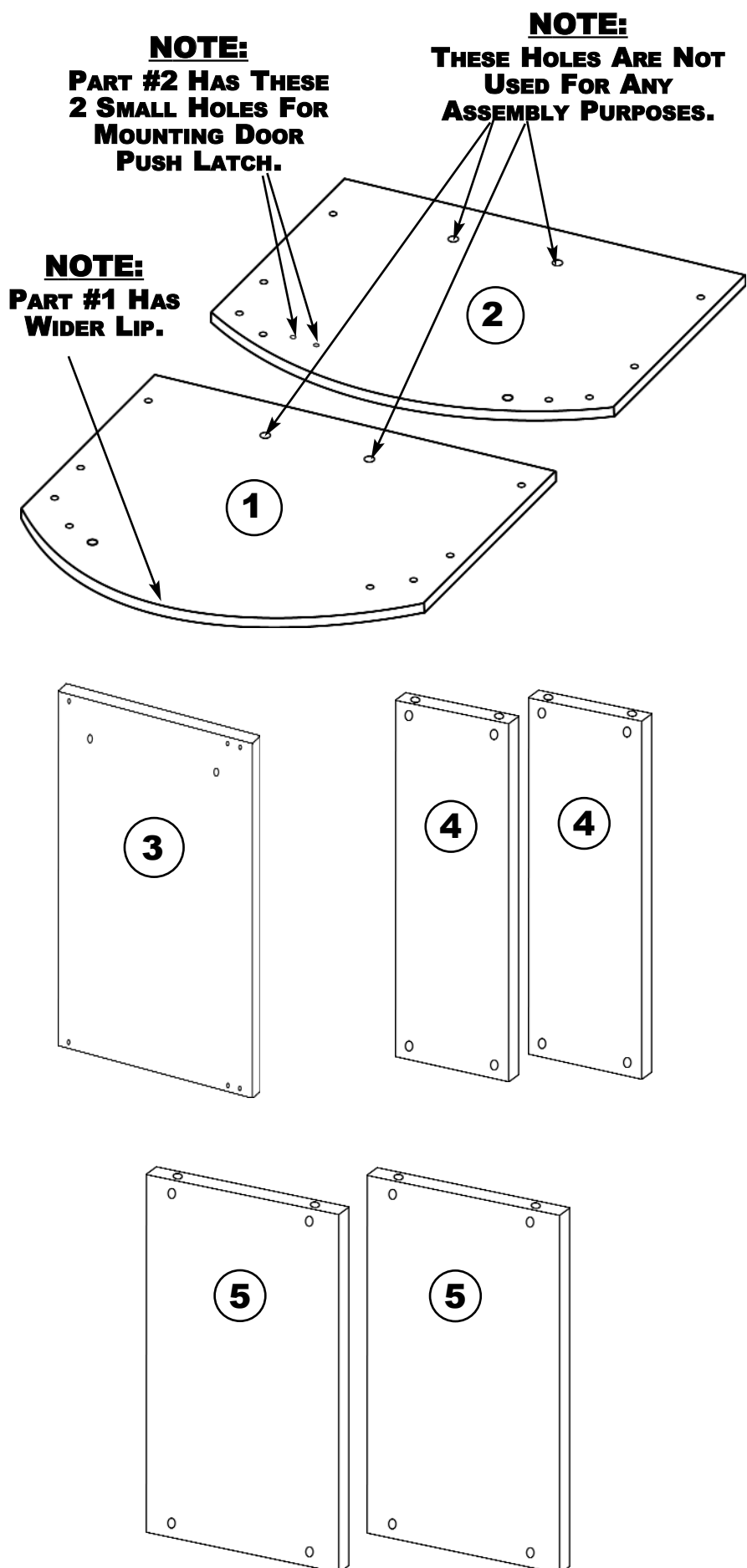
AQUATIC FUNDAMENTALS
CUSTOMER SERVICE
5400 Doniphan Drive
Neosho, Mo. 64850

E-mail us at:
service@marcogroupinc.com

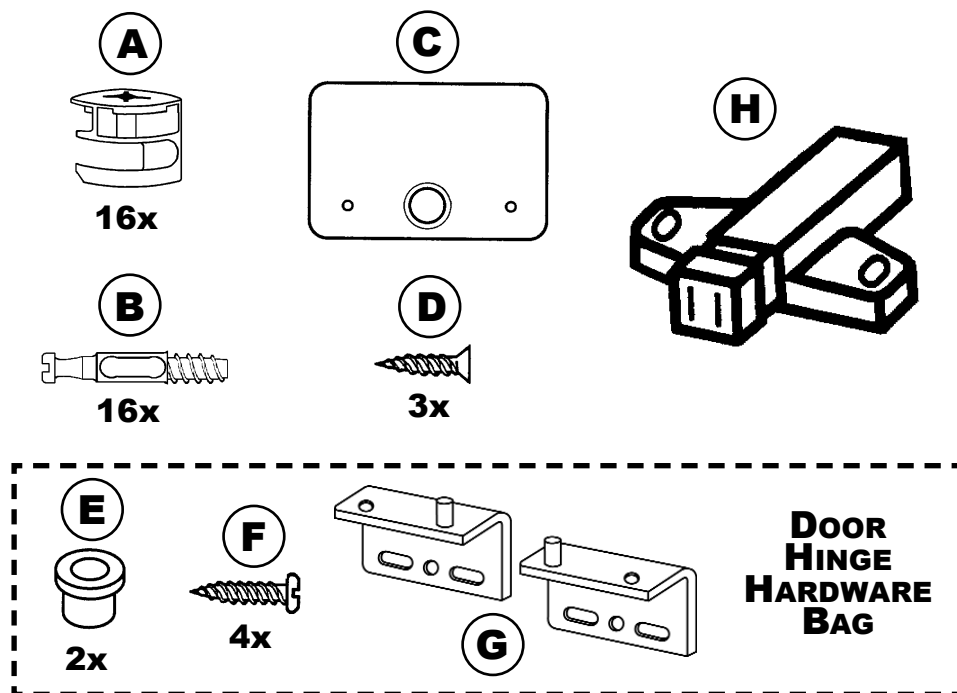
Visit our Web Page:
www.marcogroupinc.com

BEFORE BEGINNING ASSEMBLY: PLEASE REVIEW THE PARTS LIST TO ENSURE THAT YOU HAVE ALL THE PARTS. IF YOU FIND MISSING OR BROKEN PARTS, OR ARE IN NEED OF ASSEMBLY GUIDANCE, CALL TOLL FREE, 1-888-627-2601 AND WE'LL BE HAPPY TO HELP. PLEASE, **DO NOT RETURN THIS MERCHANDISE TO THE STORE.**

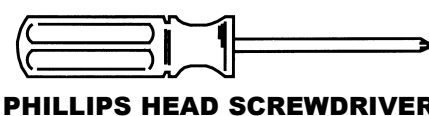
PARTS LIST



HARDWARE



TOOL(S) REQUIRED



ASSEMBLY & CARE

- Assemble furniture on the carton or carpet to protect the finish.
- Clean furniture with a soft cotton cloth moistened with water.
- DO NOT use abrasives.
- DO NOT leave water on any of the stand's surfaces. Always wipe spilled water from the stand. Water, for prolonged periods, could damage the stand's surface.

IMPORTANT SAFETY INFORMATION

PLEASE READ ALL THE FOLLOWING INFORMATION BEFORE ASSEMBLING AND USING YOUR AQUARIUM STAND.

THIS PRODUCT IS NOT A TOY. NEVER allow small children to touch, climb on or play with the aquarium or the aquarium stand. Serious injury or death could result.

WHERE TO PLACE YOUR AQUARIUM

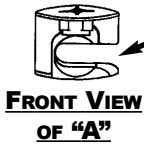
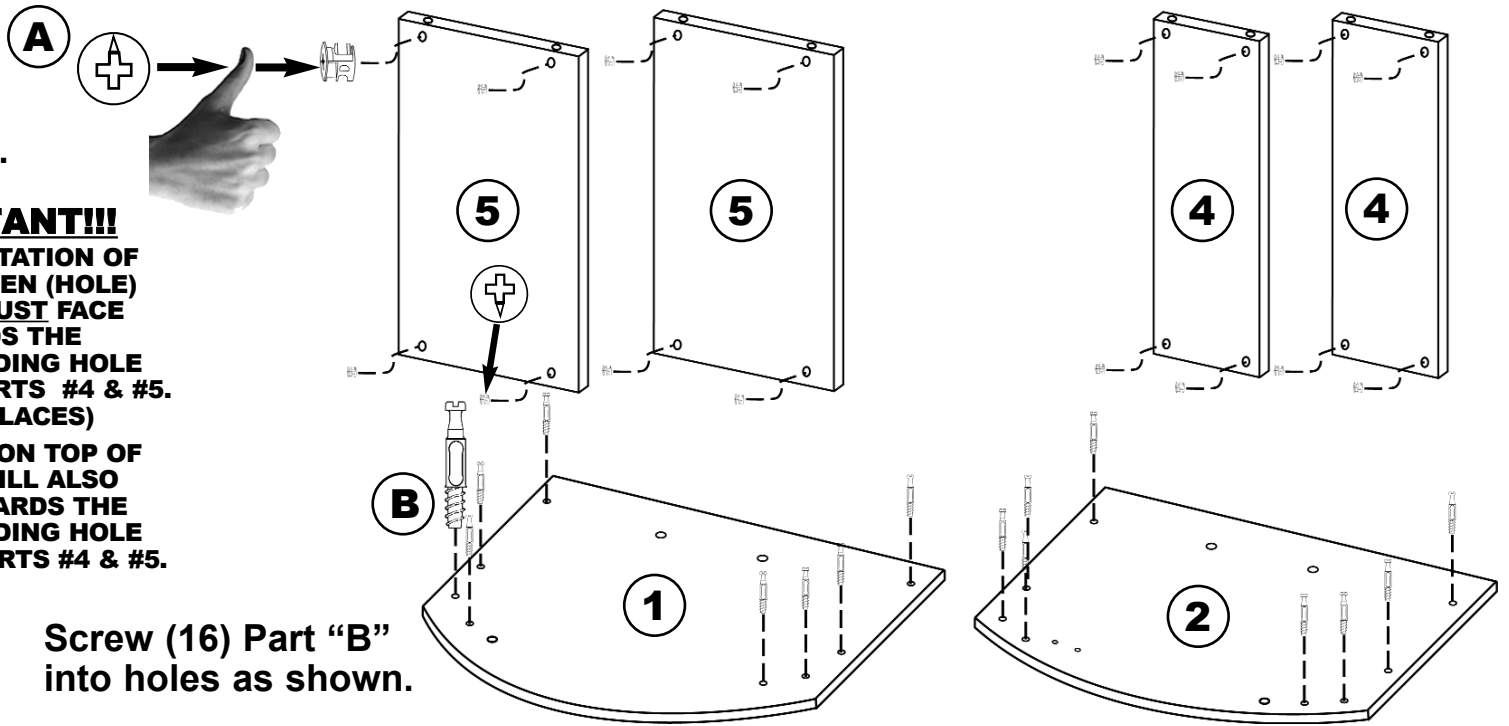
Use only an aquarium stand designed to support the weight and size of your aquarium. The filled weight of an aquarium is approximately 10 to 12 pounds per gallon. This stand is designed only for use on level surfaces. Failure to place your stand on a level surface could cause the aquarium to leak, crack or even tip or fall. Never tip the stand from its upright position.

MOVING YOUR AQUARIUM STAND

Always position the stand in the desired location before putting the aquarium tank in place. Never attempt to move the stand with the aquarium in place. Never remove an aquarium tank from the stand unless the aquarium tank is completely empty. Never carry the stand by its top.

STEP 1

Insert (16) Part "A" into holes as shown.



IMPORTANT!!!
NOTE ORIENTATION OF PART "A". OPEN (HOLE) SECTION MUST FACE TOWARDS THE CORRESPONDING HOLE IN EDGE OF PARTS #4 & #5. (ALL 16 PLACES)

THE ARROW ON TOP OF PART "A" WILL ALSO POINT TOWARDS THE CORRESPONDING HOLE IN EDGE OF PARTS #4 & #5.

Screw (16) Part "B" into holes as shown.

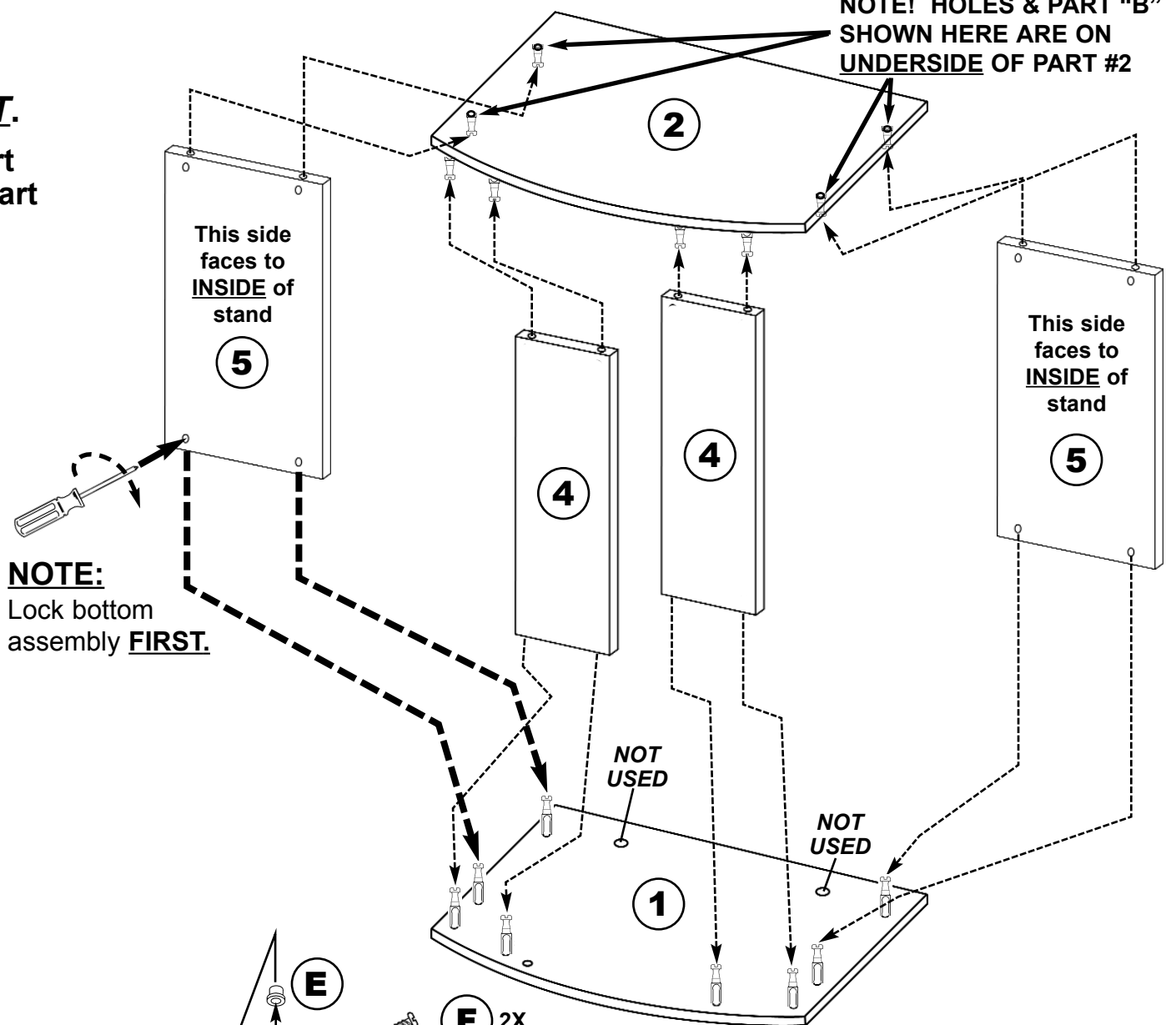
STEP 2

Connect Parts #4 & #5 to **BOTTOM PART "1" FIRST.**

Using a screwdriver, turn Part "A" clockwise to lock onto Part "B" on **BOTTOM** Part #1.

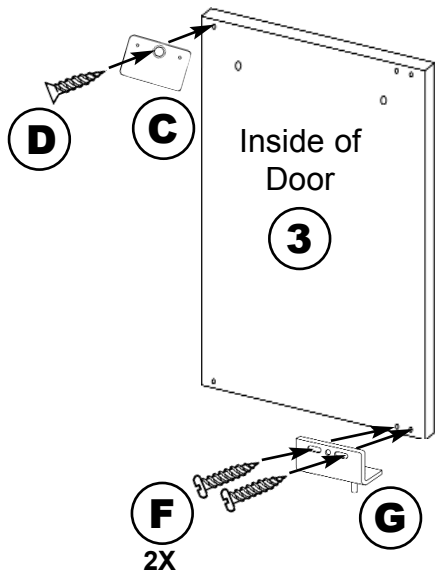
Repeat with **TOP PART #2.**

NOTE! HOLES & PART "B" SHOWN HERE ARE ON **UNDERSIDE** OF PART #2



STEP 3

Attach hardware to **BOTTOM** of door **FIRST.**



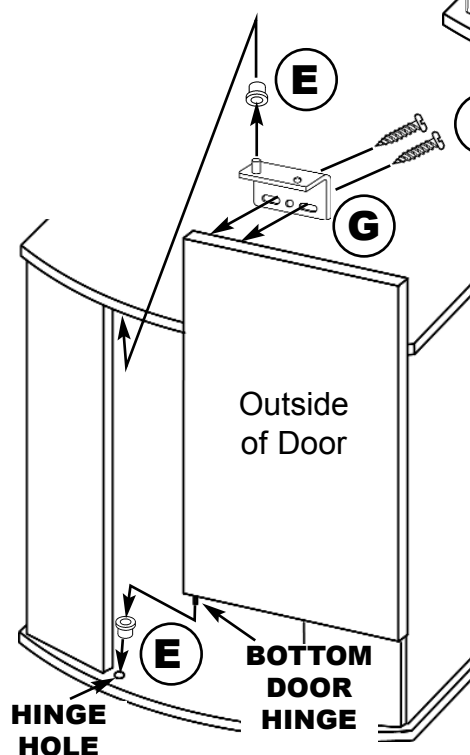
NOTE: Lock bottom assembly **FIRST.**

STEP 4

FOLLOW STEPS IN ORDER:

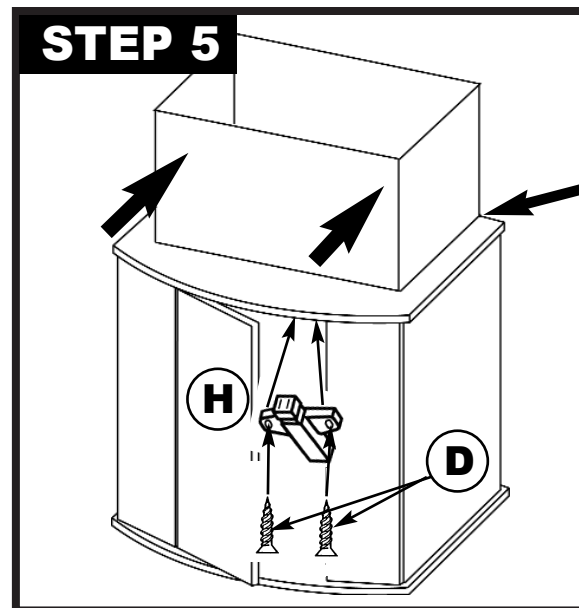
1. PLACE ONE SPACER "E" INTO THE HINGE HOLE IN BOTTOM OF PART #1. NOW PLACE THE BOTTOM DOOR HINGE INTO THIS SPACER.
2. PLACE ONE SPACER "E" ONTO THE TOP DOOR HINGE AND INSERT IN THE HINGE HOLE ON TOP PART #2. SECURE TOP HINGE "G" TO DOOR WITH (2) SCREWS "F" AS SHOWN.

IMPORTANT
IF DOOR DOES NOT OPEN PROPERLY OR IF PART "G" MOVES WHILE OPENING DOOR, CAREFULLY RE-CHECK THE INSTALLATION OF PART "G". A COMMON MISTAKE IS TO INSTALL PART "G" BACKWARDS. PLEASE REFER TO PICTURES IN STEPS 3 & 4 FOR CORRECT ORIENTATION.



STEP 5

IMPORTANT NOTE!
You **MUST** POSITION TANK TOWARDS THE **BACK SIDE** OF STAND.



LIMITED WARRANTY

This aquarium stand is under warranty by Marco Group, Inc. against defects in material and workmanship for 90 days from the date of purchase. If any component of the stand is found to be defective, you may contact us for replacement provided it has not been modified, damaged or misused. (Proof of date of purchase must be provided).

THIS WARRANTY IS VOID if the aquarium stand is modified, if it is not placed on a flat, level surface, if it is used with a tank other than it is designed, if it is moved with the tank in place or if it is used for other than it's intended purpose.

This warranty is limited to replacement of the stand only. Warranty does not cover loss of fish, personal injury, property loss or damage arising out of use of the aquarium stand. Some states do not allow the exclusion or limitation of incidental or consequential damages, so the above limitation or exclusion may not apply to you. This warranty gives you specific legal rights and you may have other rights that vary from state to state.